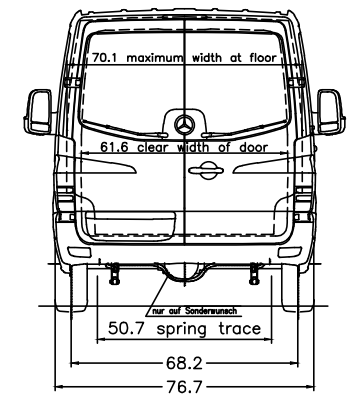


Heckueroeffnung 90°/180°
(rear door opening)
Sonderausrustung 260°
(optional equipment)



Important notes:
 - It is the responsibility of the bodybuilder to ensure that the vehicle is suitable for homologation after the body has been mounted.
 - The drawing is simplified to some extent and is not legally binding. For more details and further explanations please see the M&AC-Tris User Guide in the bodybuilder portal.
 - Please check whether the drawing specification complies with the chassis configuration of your order.
 - Optional equipment codes not listed here, KW-codes and changes resulting from feasibility checks (BBA) are not included in the drawing.

R14 Wheelbase 3865 mm
 M25 Engine Oil 242 DE 30 LA 140 kW (190 hp) 2800 rpm
 M26 Engine Iner-ventilator 57A 14/200A
 R18 Tyres LT 240/70 R16
 S24 Adjustable co-drivers seat
 T16 Sliding door right
 Z13 Higher weight 3,280 kg
 M20 Foglight
 Z21 All-wheel drive, engageable
 M26 Panel van

vehicle type :	loading space =	318 cu.ft.	H	G	α°	β°	γ°	All dimensions refer to the standard version. Measurements of laden vehicle.		The reserve of rights for this drawing/the drawing may neither be copied nor passed on to any third person.
906.633-13	59.2 sq.ft.	25.4	29.9	97.2	27	28	22	Our instructions for the manufacture of superstructures must be observed, when planning in fit bodies of other than Mercedes-Benz manufacturers.		
tyres	225/75R16 225/75R16	gross vehicle weight	GW (t)	FA (t)	RA (t)	Subject to change.		23.04.15		Cargo Van/Crew Van
			1759	816				23.04.15		2500/4x2/144.3
								205 Date Order no.		205 Date Order no.

