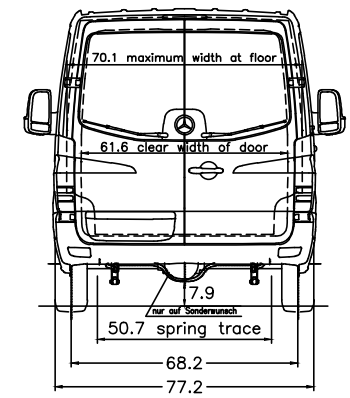


Heckueroeffnung 90°/180°  
(rear door opening)  
Sonderausrustung 260°  
(optional equipment)



**Important notes:**  
- It is the responsibility of the bodybuilder to ensure that the vehicle is suitable for homologation after the body has been mounted.  
- The drawing is simplified to some extent and is not legally binding. For more details and further explanations please see the Mercedes-Benz User Guide in the bodybuilder portal.  
- Please check whether the drawing specification complies with the chassis configuration of your order.  
- Optional equipment codes not listed here, KW-codes and changes resulting from feasibility checks (BBA) are not included in the drawing.

- 103 Sprinter standard
- 104 Wheelbase 3685 mm
- 103 Engine OM 661 EC 22 LA 120 kW (163 hp) 3800 rpm
- 104 Engine (ex-entree) EPA 14/CARB
- 106 Tyres LT 245/75 R16
- 104 Adjustable co-drivers seat
- 116 Sliding door right
- 112 Higher weight 3,800 kg
- 230 Facelift
- 240 Panel van

vehicle type :	loading space =	H		G		$\alpha^\circ$	$\beta^\circ$	$\delta^\circ$	All dimensions refer to the standard version. Measurements of body vehicle.	
		unladen	unladen	unladen	unladen				Dimensions are subject to a tolerance of up to +/- 3%	Dimensions are subject to a tolerance of up to +/- 3%
906.633-13	59.2 sq.ft.	23.6	25.8	96.3	18	16				Our instructions for the manufacture of superstructures must be observed, when planning in fit bodies of other than Mercedes-Benz manufacturers.
tyres	245/75R16 245/75R16	gross vehicle weight		GW (t)	FA (t)	RA (t)	Subject to change.			
				1759	816					
				23.04.15						Abtlg. (Dept.) TE/SDD 70546 Stuttgart
				205 Date		205 Date				Mercedes-Benz
										Cargo Van/Crew Van 2500/4x2/144.3 HVA 9061000163