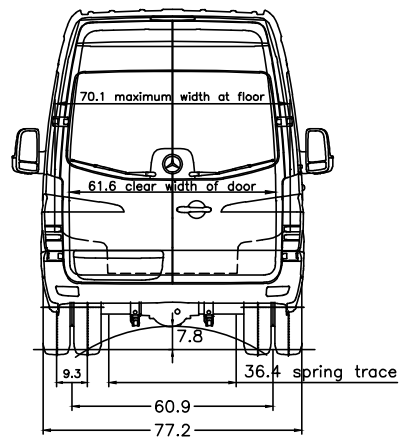


Heckueroeffnung 90°/180°
(rear door opening)
Sonderausrustung 260°
(optional equipment)



- D00 Full-length partition
- D03 Sprinter standard
- D04 Wheelbase 3600 mm
- M05 Engine OM 642 DE 30 LA 140 kW (190 hp) 3800 rpm
- M07 Engine, low-emission EPA 16/040
- M07 Tyres LT 215/85 R16
- S04 Adjustable co-driver's seat
- T16 Sliding door right
- Z00 Front
- Z00 Rear

Important notes:
- It is the responsibility of the bodybuilder to ensure that the vehicle is suitable for homologation after the body has been mounted.
- The drawing is simplified to some extent and is not legally binding. For more details and further explanations please see the MBAC-Info User Guide in the bodybuilder portal.
- Please check whether the drawing specification complies with the chassis configuration of your order.
- Optional equipment codes not listed here, KW-codes and changes resulting from feasibility checks (BBA) are not included in the drawing.

vehicle type :	loading space =	371 cu.ft.	H		G		α°		β°		γ°		All dimensions refer to the standard version. Measurements of body vehicle.		The reserve of rights for this drawing/the drawing may neither be copied nor passed on to any third person.				
906.653-13	56 sq.ft.		unladen	unladen	111	18	12	16	Our instructions for the manufacture of superstructures must be observed, when planning in fit bodies of other than Mercedes-Benz manufacturers.				Dimensions are subject to a tolerance of up to +/- 3%.						
tyres	215/85R16	gross vehicle weight	GW (t)	FA (t)	RA (t)	Subject to change.						Cargo Van/Crew Van							
	215/85R16		2269	839								Abtlg.(Dept.)TE/SOD 70546 Stuttgart							
												23.04.15		3500/4x2/144.3					
												2025 Date		2025 Date		Mercedes-Benz HVA 9061000226			