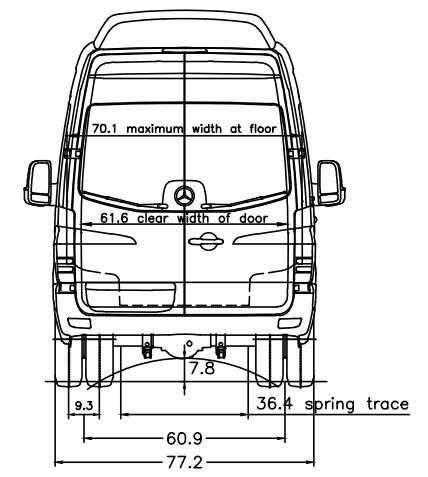


Hecktueroeffnung 90°/180°  
(rear door opening)  
Sonderausrustung 260°  
(optional equipment)



**Important notes:**  
 - It is the responsibility of the bodybuilder to ensure that the vehicle is suitable for homologation after the body has been mounted.  
 - The drawing is simplified to some extent and is not legally binding. For more details and further explanations please see the MBAC-Info User Guide in the bodybuilder portal.  
 - Please check whether the drawing specification complies with the chassis configuration of your order.  
 - Optional equipment codes not listed here, KW-codes and changes resulting from feasibility checks (BBA) are not included in the drawing.

- D00 Full-length partition
- D03 Splitter standard
- H07 Wheelbase 4320 mm, overhang 2010 mm
- M03 Engine OM 691 DE 22 LA 120 kW (163 hp) 3800 rpm
- M05 Engine low-emission EPA 14/0408
- M07 Tyres LT 215/85 R16
- S04 Adjustable co-driver's seat
- T16 Sliding door right
- Z00 Fawcett
- Z00 Panel van

- D05 Super-high roof
- D05 Super-high roof

vehicle type :	loading space =	600.3 cu.ft.	H	G	α°	β°	γ°	All dimensions refer to the standard version. Measurements of laden vehicle.		The reserve of rights for this drawing/the drawing may neither be copied nor passed on to any third person.
906.657-13	84 sq.ft.	24.8	27	120.1	18	10	14	Our instructions for the manufacturer of superstructures must be observed, when planning in fit bodies of other than Mercedes-Benz manufacturers.		
tyres	215/85R16	gross vehicle weight	GW (t)	FA (t)	RA (t)	Subject to change.				
	215/85R16		2269	839						
										23.04.15
										2025 Date Order no.
										2025 Date Order no.

Cargo Van/Crew Van  
 Adig (Lept.)TE/S00  
 70546 Stuttgart  
 3500/4x2/170.3  
 HVA 9061000258