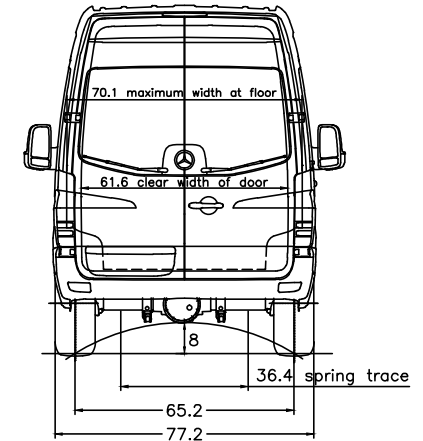


Hecktueroeffnung 90°/180°
(rear door opening)
Sonderausrustung 260°
(optional equipment)



Important notes:
- It is the responsibility of the bodybuilder to ensure that the vehicle is suitable for homologation after the body has been mounted.
- The drawing is simplified to some extent and is not legally binding. For more details and further explanations please see the Mercedes-Benz User Guide in the bodybuilder portal.
- Please check whether the drawing specification complies with the chassis configuration of your order.
- Optional equipment codes not listed here, KW-codes and changes resulting from feasibility checks (BBA) are not included in the drawing.

- D00 Full-length partition
- R08 Wheelbase 4225 mm, overhang 1415 mm
- N03 Engine OM 602 DE 20 144 kW (190 hp) 3800 rpm
- M07 Engine, low-emission EPA 16/CW0
- R06 Super-slimple tyres 285/60 R16 C
- S04 Adjustable co-drivers seat
- T16 Sliding door right
- S04 Weight variant 4,800 kg
- Z00 F0400H
- Z00 F0400H
- Z00 F0400H

vehicle type :	loading space =	494 cu.ft.	H		G		α° β°		All dimensions refer to the standard version. Measurements of laden vehicle.		The reserve of rights for this drawing/the drawing may neither be copied nor passed on to any third person.
906.655-13	78.6 sq.ft.	25.2	27	110.8	18	15	15	15	Our instructions for the manufacture of superstructures must be observed, when planning in fit bodies of other than Mercedes-Benz manufacturers.	Dimensions are subject to a tolerance of up to +/- 3%	
tyres	205/75R16 285/65R16	gross vehicle weight	GW (t)	FA (t)	RA (t)	Subject to change.		23.04.15		Cargo Van/Crew Van	
			2087	839						Abtig. (Dept.) TE/SOD 70546 Stuttgart	
										3500/4x2/170.3	
										HVA 9061000254	

